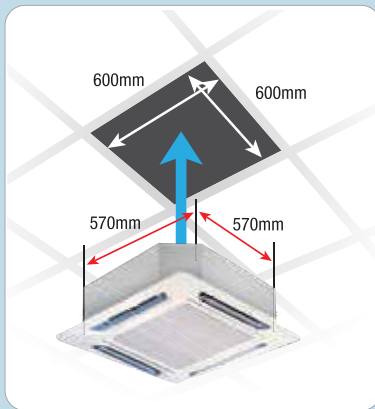


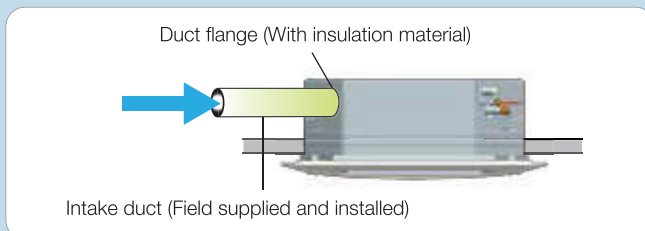
Compact Design

Ceiling Cassette C Series body dimension is only 570 mm x 570 mm which can easily fits into a 600 mm ceiling grid.



Fresh Air Intake

- Knock out hole is available at the unit.
- Installation & accessories need to be field supplied & installed.
- Keep the introduction of fresh air intake within 20% of the total air flow. Also provide a chamber and use a booster fan.

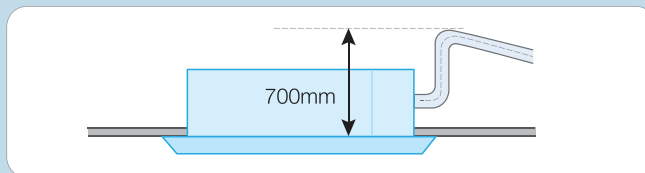


Stylish & Slim Panel

The slim panel can be blended easily into decoration and interior design.

Built In High Head Drain Pump & Water Flow Switch

The unit comes with a 700 mm built-in high head drain pump. A safety float is incorporated into the drain pump to monitor its water level.



4 Way Air Discharge & Air Swing

It comes with 4 way air discharge and air swing function to ensure better air distribution and circulation in the room.

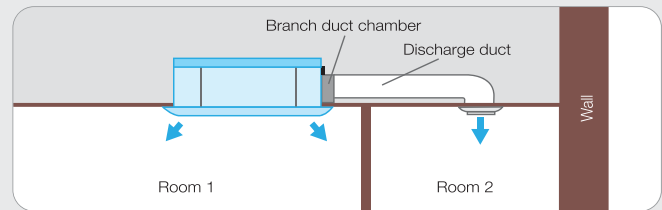


Valve Or Valveless Control Options

The design is flexible enough to allow for either valve or valveless control installation.

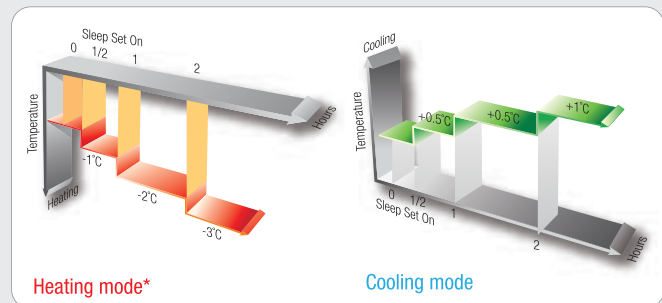
Branch Duct Connection

Improves air flow distribution when there is an obstruction. It allows for air conditioning of two rooms simultaneously.



Sleep Function For Cool And Heat Mode

Once activated, set temperature will be increased / decreased gradually according to normal sleeping temperature patterns to ensure a comfortable sleeping environment.

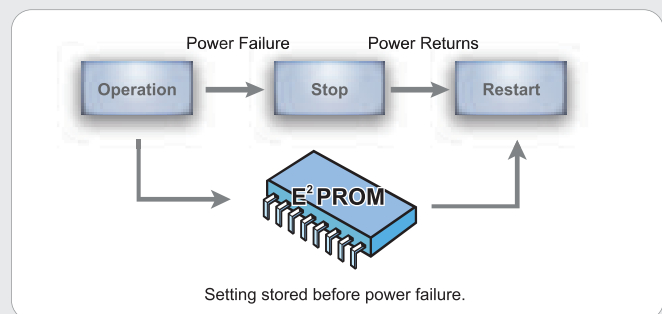


Self Diagnosis Features

This feature helps to detect any faults or malfunctioning in the system and provide user a warning by blinking of the LED lights.

Auto Restart With Last-State-Memory

In case of sudden power failure during operation, unit restarts automatically & unit will operate based on previous setting when power is resumed.



Choices Of Wired Or Wireless Remote Controller

Compact and user friendly wireless BRC52A and wired BRC51A remote controller offer :

- Real Time Clock
- "Glow in the dark" ON/OFF Button
- Low, Medium, High fan speed options
- ON Timer Setting

